

**SERIES DESCRIPTION: MAGGIO MPS SERIES - SELF-SUCKING WATER PUMP**



**Pump Design**

Single Stage Centrifugal Pump

**Application**

- ✘ Cooling Water System
- ✘ Sprinkler System
- ✘ Living Water Supply
- ✘ Industrial Water Supply
- ✘ Garden Irrigation

**Type Key**

Example:	<b>MPS-123</b>
MPS	Self-Sucking Water Pump
123	Pump code number
AUTO	AUTO type

**Technical Data**

- ✘ Max. Flow (Q): 40L/min
- ✘ Max. Head (H): 40m
- ✘ Max. Suction Pressure: 9m
- ✘ Max. Liquid Temperature: + 60°C
- ✘ Max. Ambient Temperature: +40°C

**Electric Motor Data (Standard Supply)**

- ✘ IEC Standard
- ✘ Insulation Class: F
- ✘ Enclosure Class: IP54
- ✘ Standard Voltage:  
1ph/220V-240V/50Hz
- ✘ Speed: 2900rpm

**Construction Design**

Maggio MPS series are horizontal single stage centrifugal pumps built with side suction and vertical discharge. The connection for suction part is oval flange type connections. Pump shaft and motor shaft of the IEC-standard motor are directly closed coupled. The shaft seal type is mechanical seal for all range of the pumps. MPS pumps have 4 different pump sizes to provide the flow and the pressure required.

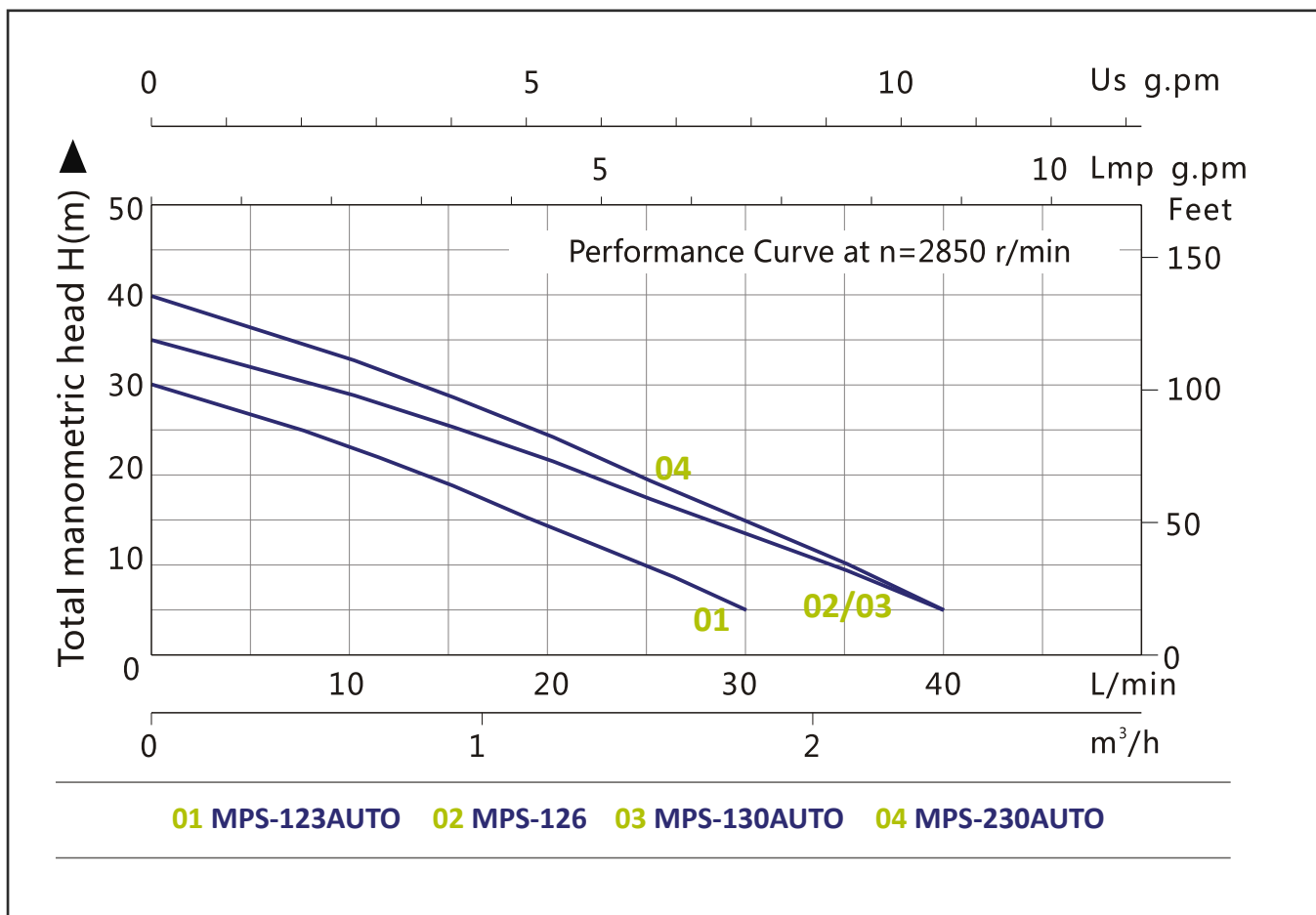
**Hydraulic Parts Material (Standard)**

- ✘ Pump body is made up of cast iron or cast iron with brass insert
- ✘ Impeller is made up of brass or plastic with brass insert
- ✘ Motor housing is made up of steel plate
- ✘ Standard material of mechanical seal is Carbon/Ceramic/Stainless Steel



**SERIES DESCRIPTION: MAGGIO MPS SERIES - SELF-SUCKING WATER PUMP**

**Performance Curve**



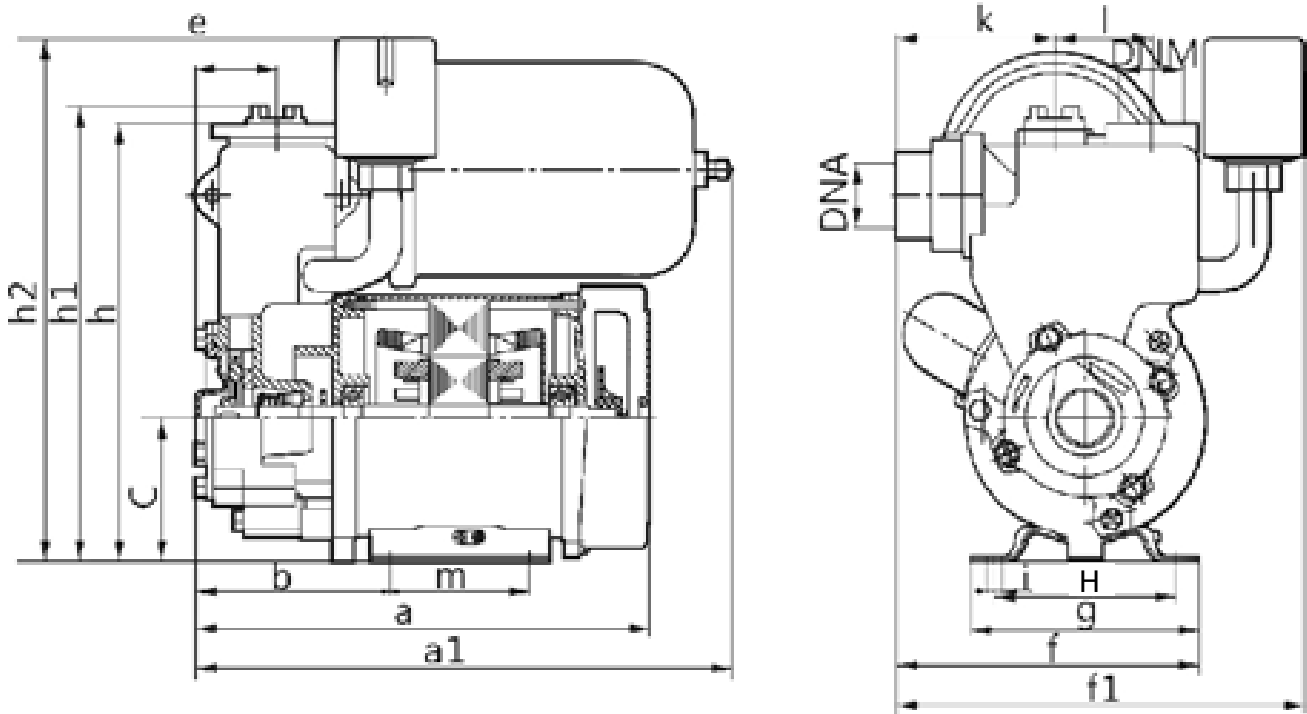
Model	Single-phase Motor			n = 2900r/min		
	Motor Power		Current	Q. Max.	H. Max.	Suction Max.
	kW	HP	A	L/min	m	m
MPS-123AUTO	0.125	0.16	1.3	30	30	9
MPS-126	0.25	0.32	2.0	35	40	
MPS-130AUTO	0.25	0.32	2.0	35	40	
MPS-230AUTO	0.37	0.5	2.5	40	40	



**MAGGIO**

**SERIES DESCRIPTION: MAGGIO MPS SERIES - SELF-SUCKING WATER PUMP**

**Dimensions**



Model	Dimensions (mm)													
	DNA	DNM	a	a1	b	c	h	h1	h2	e	f	f1	g	H
MPS-123AUTO	25	25	218	189	81	67.5	200	215	225	30	146	160	113	90
MPS-126	25	25	226	265	97	71.5	217.5	227	256	40.5	178	200	114	90
MPS-130AUTO	25	25	226	265	97	71.5	217.5	227	256	40.5	178	200	114	90
MPS-230AUTO	25	25	262	312	218	94	280	293	312	47.5	197	231	166	129

Model	Dimensions (mm)				Gross Weight (kg)
	i	k	l	m	
MPS-123AUTO	Ø7	87	43	69	6.5
MPS-126	Ø8	79	48	69	7.5
MPS-130AUTO	Ø8	79	48	69	9.0
MPS-230AUTO	Ø11	92	57	-	15.5