

SERIES DESCRIPTION: MAGGIO MJL SERIES - SELF-PRIMING PUMP



Pump Design

Self-Priming Single Stage Centrifugal Pump

Application

- ✘ Small Cooling Water System
- ✘ Sprinkler System
- ✘ Small Living Water Supply

Type Key

Example:	MJL-60L/LH
MJL	Self-Priming Pump
60	Pump code number
L/LH	L: P.P.O. Nozzle/JET Pipe/Diffuser LH: Aluminum Nozzle/JET Pipe/ Diffuser

Technical Data

- ✘ Max. Flow (Q): 52L/min
- ✘ Max. Head (H): 51m
- ✘ Max. Suction Pressure: 9m
- ✘ Max. Liquid Temperature: + 60°C
- ✘ Max. Ambient Temperature: +40°C

Electric Motor Data (Standard Supply)

- ✘ IEC Standard
- ✘ Insulation Class: F
- ✘ Enclosure Class: IP54
- ✘ Standard Voltage:
1ph/220V-240V/50Hz
- ✘ Speed: 2900rpm

Construction Design

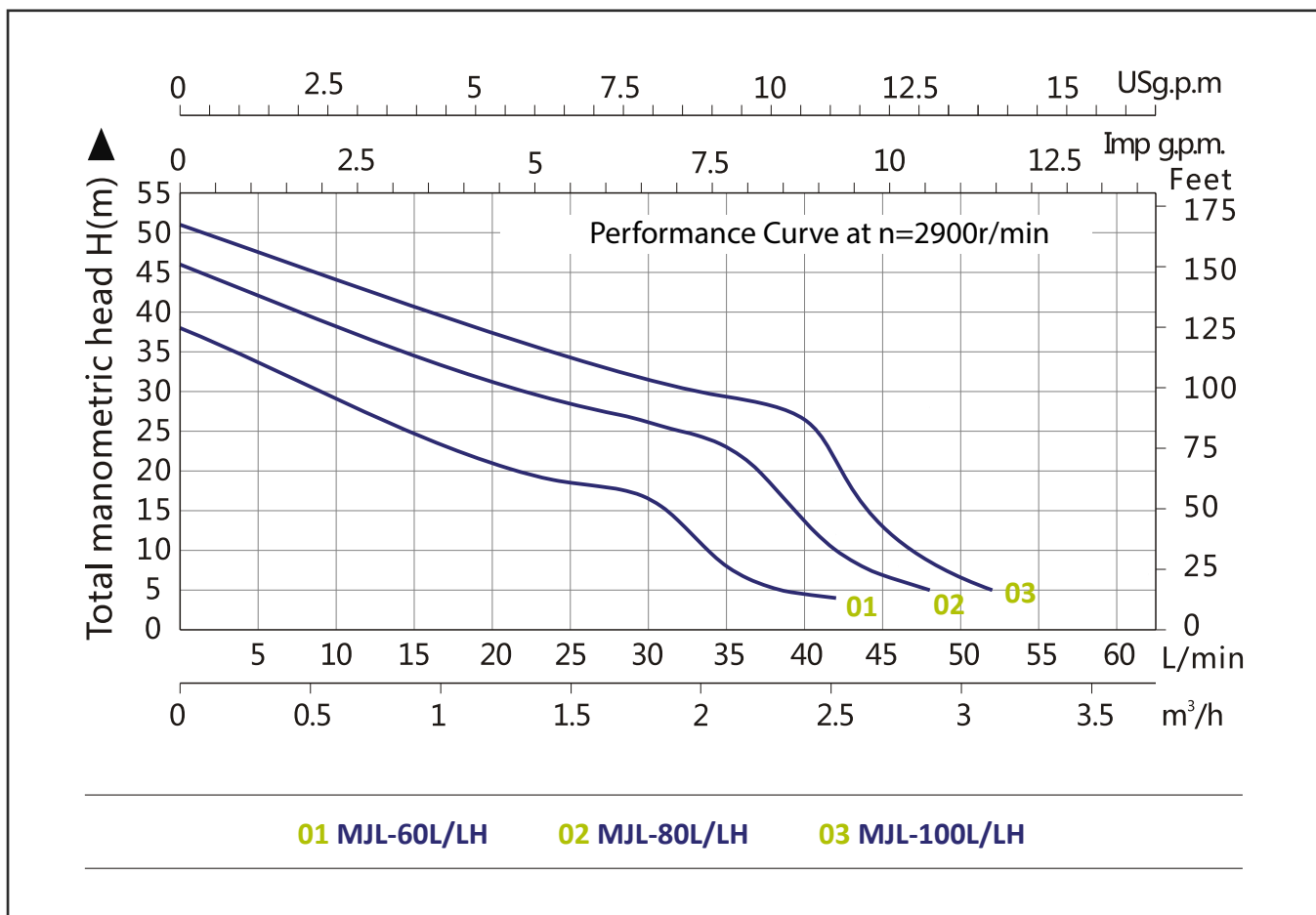
Maggio MJL series are self-priming horizontal single stage centrifugal pumps built with axial suction and vertical discharge in which both connections are threaded type connections. MJL pump is a shallow well jet pump which can pull water from a maximum of 9m depth from water well/reservoir. There is a nozzle and venturi pair inside the nose of a shallow well jet pump. The nozzle blows water through the venturi which creates a pressure differential. This pressure differential that actually helps the pump build pressure. Pump shaft and motor shaft of the IEC-standard motor are directly closed coupled. The shaft seal type is mechanical seal for all range of the pumps. MJL pumps have 3 different pump sizes to provide the flow and the pressure required.

Hydraulic Parts Material (Standard)

- ✘ Pump body is made up of cast iron
- ✘ Impeller is made up of brass
- ✘ The nozzle, venturi tube and diffuser is made up of P.P.O.
- ✘ Standard material of mechanical seal is Carbon/Ceramic/Stainless Steel

SERIES DESCRIPTION: MAGGIO MJL SERIES - SELF-PRIMING PUMP

Performance Curve



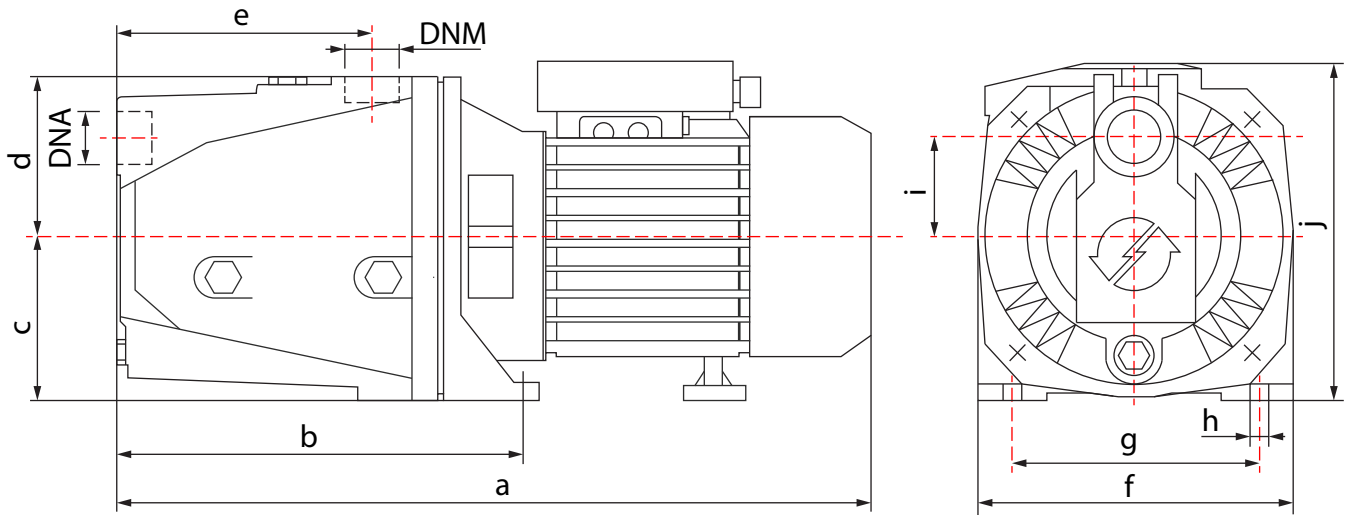
Model	Single-phase Motor			n = 2900r/min		
	Motor Power		Current	Q. Max.	H. Max.	Suction Max.
	kW	HP	A	L/min	m	m
MJL-60L/LH	0.46	0.6	3.2	42	38	9
MJL-80L/LH	0.6	0.8	4.2	48	46	
MJL-100L/LH	0.75	1.0	5.2	52	51	



MAGGIO

SERIES DESCRIPTION: MAGGIO MJL SERIES - SELF-PRIMING PUMP

Dimensions



Model	Dimensions (mm)												Gross Weight (kg)
	DNA	DNM	a	b	c	d	e	f	g	h	i	j	
MJL-60L/LH	25	25	435	238	90	94	150	182	141	9	57	198	15.2
MJL-80L/LH	25	25	435	238	90	94	150	182	141	9	57	198	16.2
MJL-100L/LH	25	25	435	238	90	94	150	182	141	9	57	198	17.2