

SERIES DESCRIPTION: MAGGIO GC SERIES - PERIPHERAL PUMP



Pump Design

Non Self-Priming Single Stage Centrifugal Pump (Peripheral Pump)

Application

- ✘ Small Cooling Water System
- ✘ Sprinkler System
- ✘ Small Living Water Supply

Type Key

Example:	GC-60/ST/B
GC	Peripheral Pump
60	Pump code number
/ST/B	Non: Cast iron pump body ST: SS304 pump body B: Brass pump body

Technical Data

- ✘ Max. Flow (Q): 80L/min
- ✘ Max. Head (H): 70m
- ✘ Max. Suction Pressure: 9m
- ✘ Max. Liquid Temperature: + 60°C
- ✘ Max. Ambient Temperature: +40°C

Electric Motor Data (Standard Supply)

- ✘ IEC Standard
- ✘ Insulation Class: F
- ✘ Enclosure Class: IP54
- ✘ Standard Voltage:
1ph/220V-240V/50Hz
- ✘ Speed: 2900rpm

Construction Design

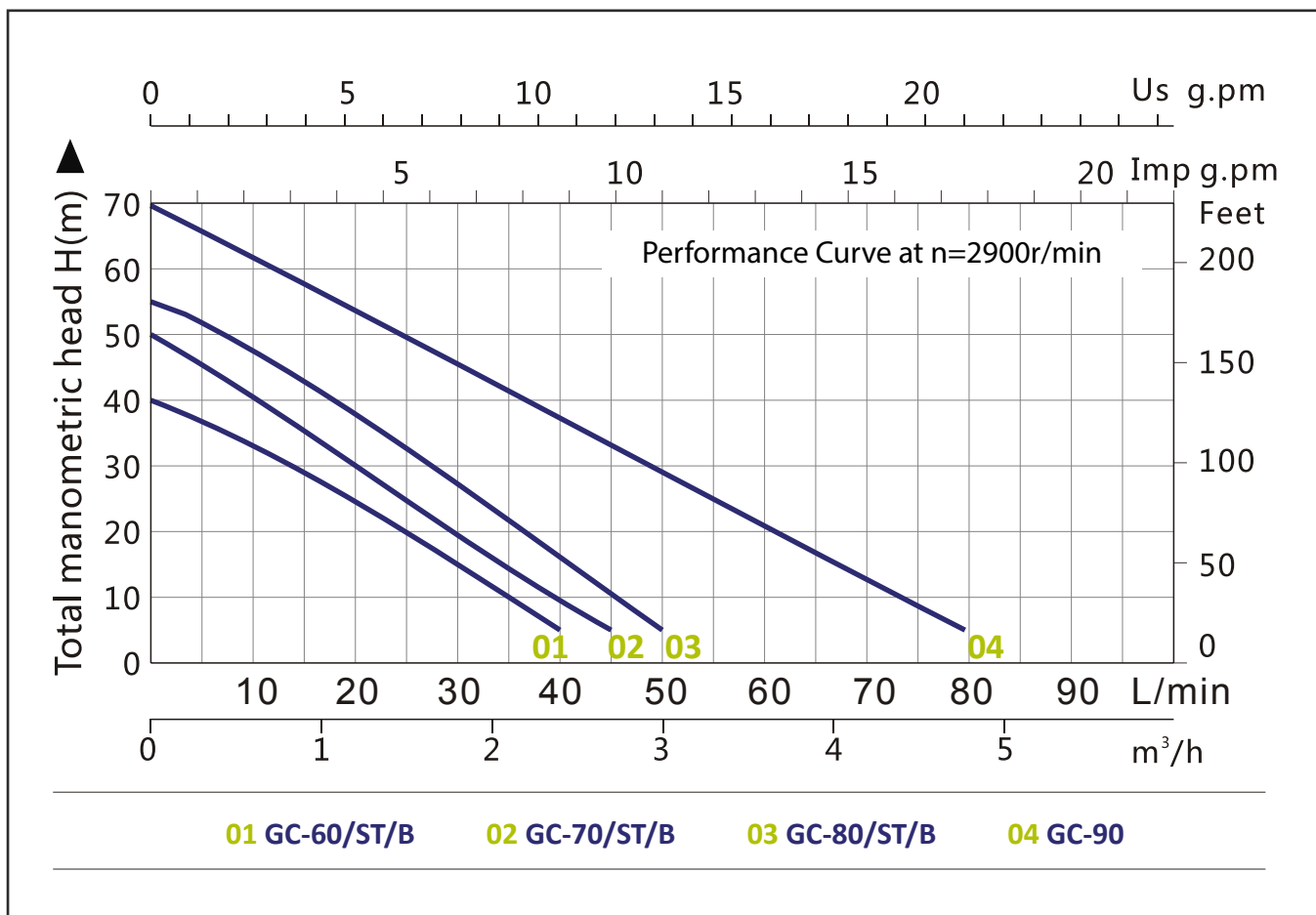
Maggio GC series are non-self priming horizontal single stage centrifugal pumps built with axial suction and vertical discharge in which both connections are threaded type connections. GC pumps are categorized as peripheral pump as they are using peripheral impeller. A peripheral impeller is a special impeller with a large number of small double-flow radial vanes arranged at its periphery. The internals of peripheral pumps are different from the standard centrifugal pumps in the way they have the ability of creating high discharge pressure at low flow rates. Pump shaft and motor shaft of the IEC-standard motor are directly closed coupled. The shaft seal type is mechanical seal for all range of the pumps. GC pumps have 4 different pump sizes to provide the flow and the pressure required.

Hydraulic Parts Material (Standard)

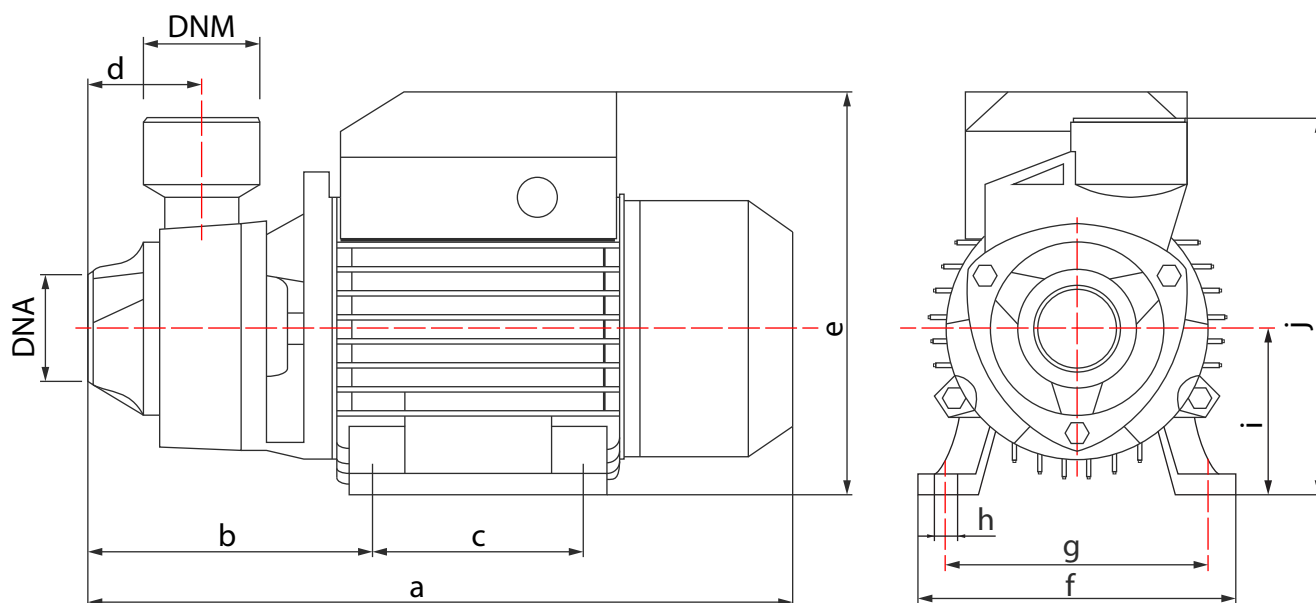
- ✘ Pump body is made up of cast iron
- ✘ Impeller is made up of stainless steel; SS304
- ✘ Front cover is made up of cast iron
- ✘ Standard material of mechanical seal is
Carbon/Ceramic/Stainless Steel

SERIES DESCRIPTION: MAGGIO GC SERIES - PERIPHERAL PUMP

Performance Curve



Model	Single-phase Motor			n = 2900r/min		
	Motor Power		Current	Q. Max.	H. Max.	Suction Max.
	kW	HP	A	L/min	m	m
GC-60/ST/B	0.37	0.5	2.5	40	40	9
GC-70/ST/B	0.55	0.75	3.8	45	50	
GC-80/ST/B	0.75	1.0	5.2	50	55	
GC-90	1.1	1.5	7.0	80	70	

SERIES DESCRIPTION: MAGGIO GC SERIES - PERIPHERAL PUMP
Dimensions


Model	Dimensions (mm)												Gross Weight (kg)
	DNA	DNM	a	b	c	d	e	f	g	h	i	j	
GC-60/ST/B	25	25	265	110	80	45	151	118	100	10	63	138	5.3
GC-70/ST/B	25	25	305	122	90	50	181	136	112	10	71	150	9.5
GC-80/ST/B	40	40	305	122	90	50	181	136	112	10	71	150	10
GC-90	40	40	380	138	100	68	182	180	162	10	80	156	22