

**SERIES DESCRIPTION: MAGGIO MPC SERIES - SINGLE STAGE PUMP**



**Pump Design**

Non Self-Priming Single Stage Centrifugal Pump

**Application**

- ✘ Cooling Water System
- ✘ Sprinkler System
- ✘ Living Water Supply
- ✘ Industrial Water Supply
- ✘ Garden Irrigation

**Type Key**

Example:	<b>MPC-130</b>
MPC	Single Stage Pump
130	Pump code number

**Technical Data**

- ✘ Max. Flow (Q): 500L/min
- ✘ Max. Head (H): 36m
- ✘ Max. Suction Pressure: 9m
- ✘ Max. Liquid Temperature: + 60°C
- ✘ Max. Ambient Temperature: +40°C

**Electric Motor Data (Standard Supply)**

- ✘ IEC Standard
- ✘ Insulation Class: F
- ✘ Enclosure Class: IP54
- ✘ Standard Voltage:  
1ph/220V-240V/50Hz
- ✘ Speed: 2900rpm

**Construction Design**

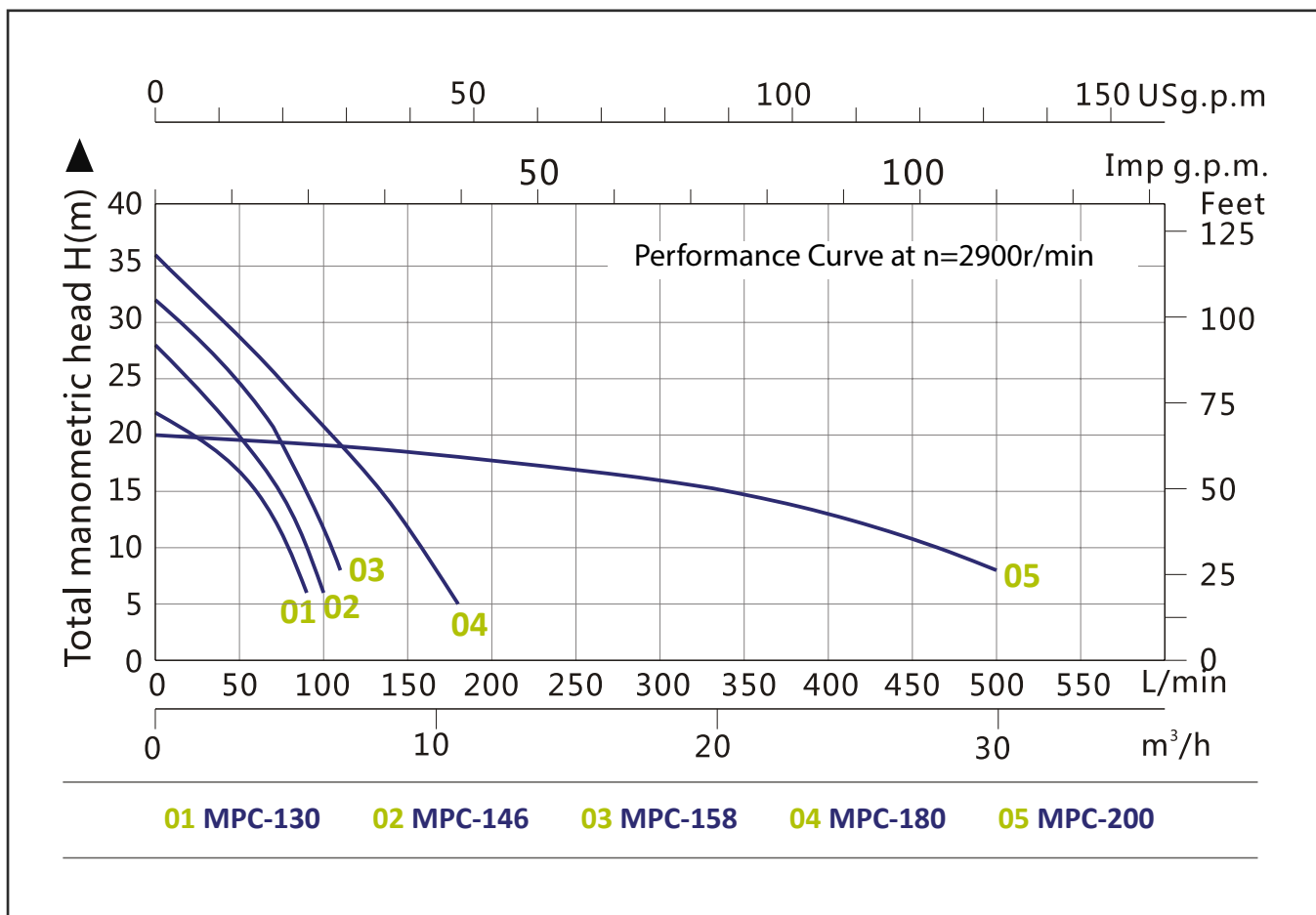
Maggio MPC series are non self-priming horizontal single stage centrifugal pumps built with axial suction and vertical discharge in which both connections are threaded type connections. Pump shaft and motor shaft of the IEC-standard motor are directly closed coupled. The shaft seal type is mechanical seal for all range of the pumps. MPC pumps have 5 different pump sizes to provide the flow and the pressure required.

**Hydraulic Parts Material (Standard)**

- ✘ Pump body is made up of cast iron
- ✘ Impeller is made up of brass
- ✘ Front cover is made up of cast iron
- ✘ Standard material of mechanical seal is  
Carbon/Ceramic/Stainless Steel

**SERIES DESCRIPTION: MAGGIO MPC SERIES - SINGLE STAGE PUMP**

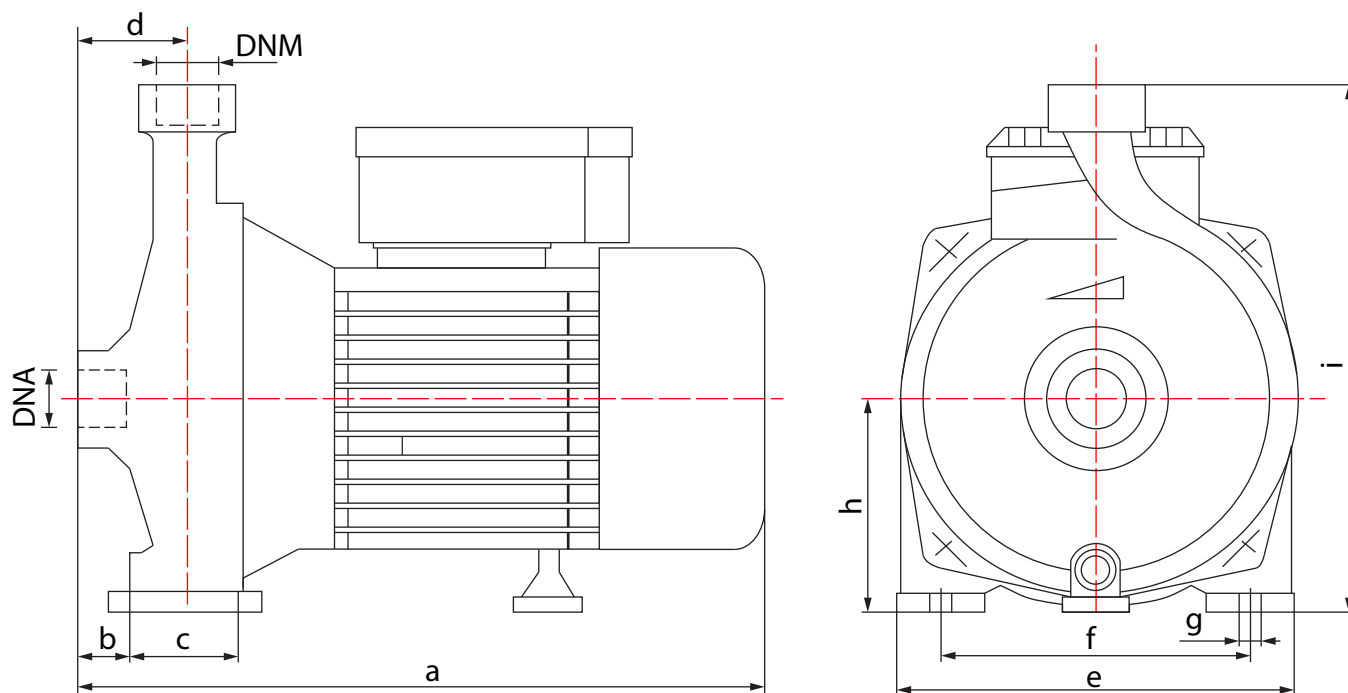
**Performance Curve**



Model	Single-phase Motor			n = 2900r/min		
	Motor Power		Current	Q. Max.	H. Max.	Suction Max.
	kW	HP	A	L/min	m	m
MPC-130	0.4	0.56	2.9	90	22	9
MPC-146	0.55	0.75	3.8	100	28	
MPC-158	0.75	1.0	5.2	110	32	
MPC-180	1.1	1.5	7.0	180	36	
MPC-200	1.5	2.0	9.6	500	20	

**SERIES DESCRIPTION: MAGGIO MPC SERIES - SINGLE STAGE PUMP**

**Dimensions**



Model	Dimensions (mm)												Gross Weight (kg)
	DNA	DNM	a	b	c	d	e	f	g	h	i	j	
MPC-130	25	25	295	-	-	42	170	135	10	82	211	-	8.9
MPC-146	25	25	305	-	-	44	190	160	10	100	242	-	12.2
MPC-158	25	25	305	-	-	44	190	160	10	100	242	-	13.8
MPC-180	40	40	360	-	-	53	207	160	10	112	262	-	21.0
MPC-200	50	50	388	32	-	60	207	160	10	112	259	-	23.0