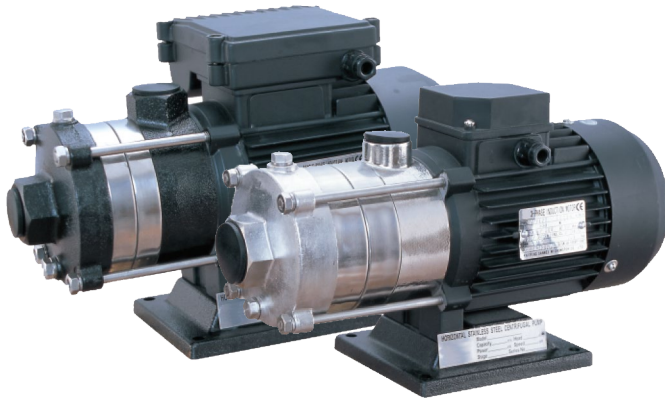


SERIES DESCRIPTION: MAGGIO HM/HMI SERIES - HORIZONTAL MULTISTAGE PUMP

Pump Design

Non Self-Priming Multistage Centrifugal Pump

Application

- ✘ Cooling Water System
- ✘ Domestic Water System
- ✘ Boosting & Circulation System
- ✘ Pesticide Dosing System
- ✘ Water Treatment
- ✘ Agriculture
- ✘ Industrial Cleaning

Type Key

Example: **HM/HMI2-40**

HM	HM: Horizontal Multistage Centrifugal Pump (Cast Iron) HMI: Horizontal Multistage Centrifugal Pump (S/Steel)
2	Nominal flow rate in m ³ /hr
40	Number of stage x 10

Technical Data

- ✘ Max. Flow (Q): 28m³/hr
- ✘ Max. Head (H): 60m
- ✘ Max. Operating Pressure : 10 bar
- ✘ Liquid Temperature Range:-
Standard Design: -15°C to +70°C
Hot Water Design: -15°C to +110°C
- ✘ Max. Ambient Temperature: +40°C

Electric Motor Data (Standard Supply)

- ✘ IEC Standard
- ✘ Insulation Class: F
- ✘ Enclosure Class: IP55
- ✘ Standard Voltage:
1ph/220V-240V/50Hz (Only available up to 2.2kW)
3ph/380V-415V/50Hz
- ✘ Speed: 2900rpm

Construction Design

Maggio HM and HMI series are non-self priming horizontal multistage centrifugal pumps built with axial suction and vertical discharge in which both connections are threaded type connections. The suction and discharge head is available in two types of material which are cast iron and stainless steel. The HM series represent pump built with cast iron suction and discharge head while HMI series represent pump built with stainless steel suction and discharge head. Pump shaft and motor shaft of the IEC-standard motor are directly closed coupled. The pump is coupled with totally enclosed, fan-cooled, squirrel-cage and aluminum casing motor. The shaft seal type is mechanical seal for all range of the pumps. HM and HMI pumps have different pump sizes to provide the flow and the pressure required.

Hydraulic Parts Material (Standard)

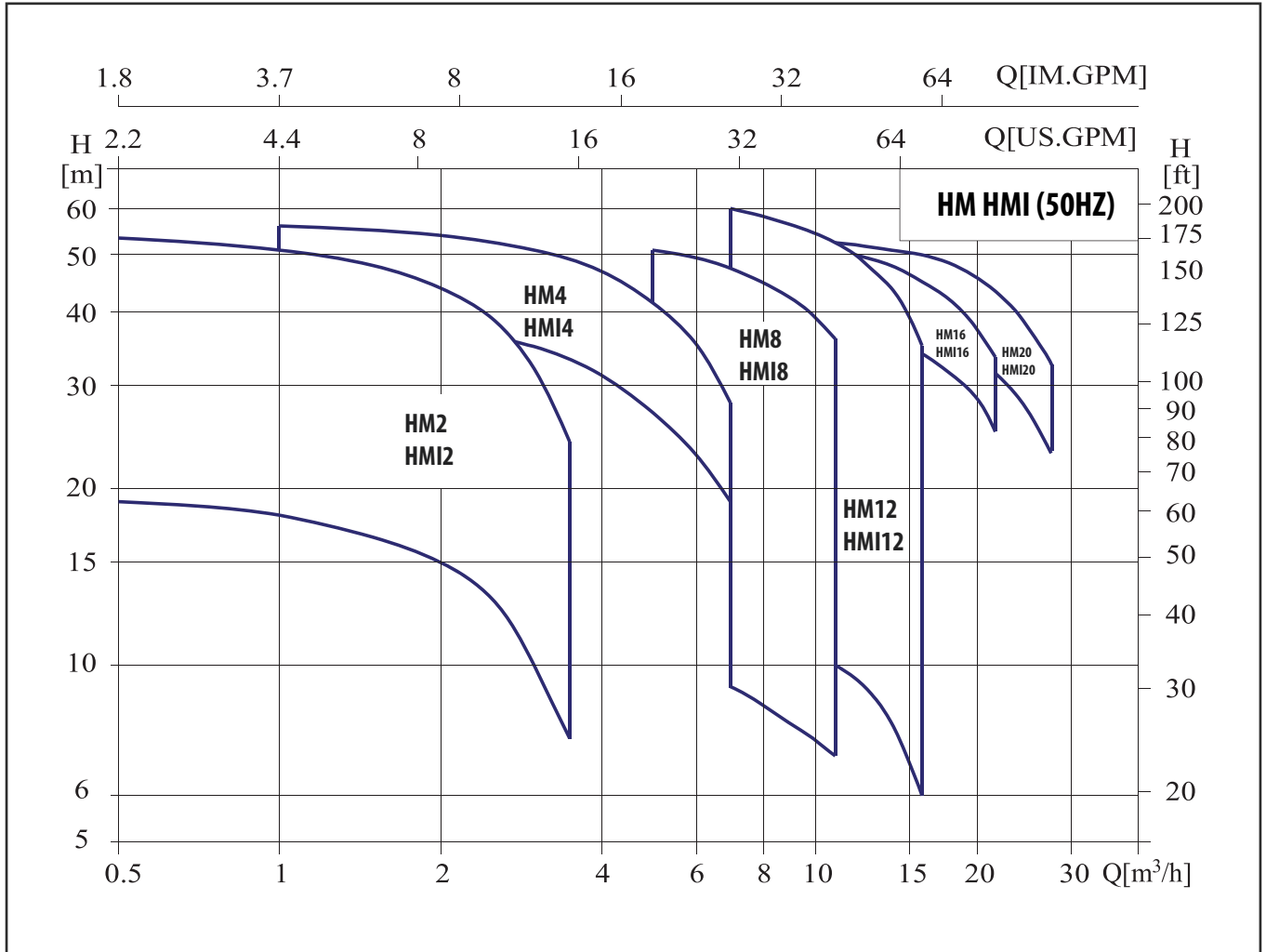
- ✘ For HM pump suction and discharge head, it is made up of cast iron
- ✘ For HMI pump suction and discharge head, it is made up stainless steel; SS304
- ✘ Impeller is made up of stainless steel; SS304
- ✘ Shaft is made up of stainless steel; SS304
- ✘ Diffuser is made up of stainless steel; SS304
- ✘ Discharge Diffuser is made up of stainless steel; SS304
- ✘ Standard material of mechanical seal is Graphite/SiC/Viton

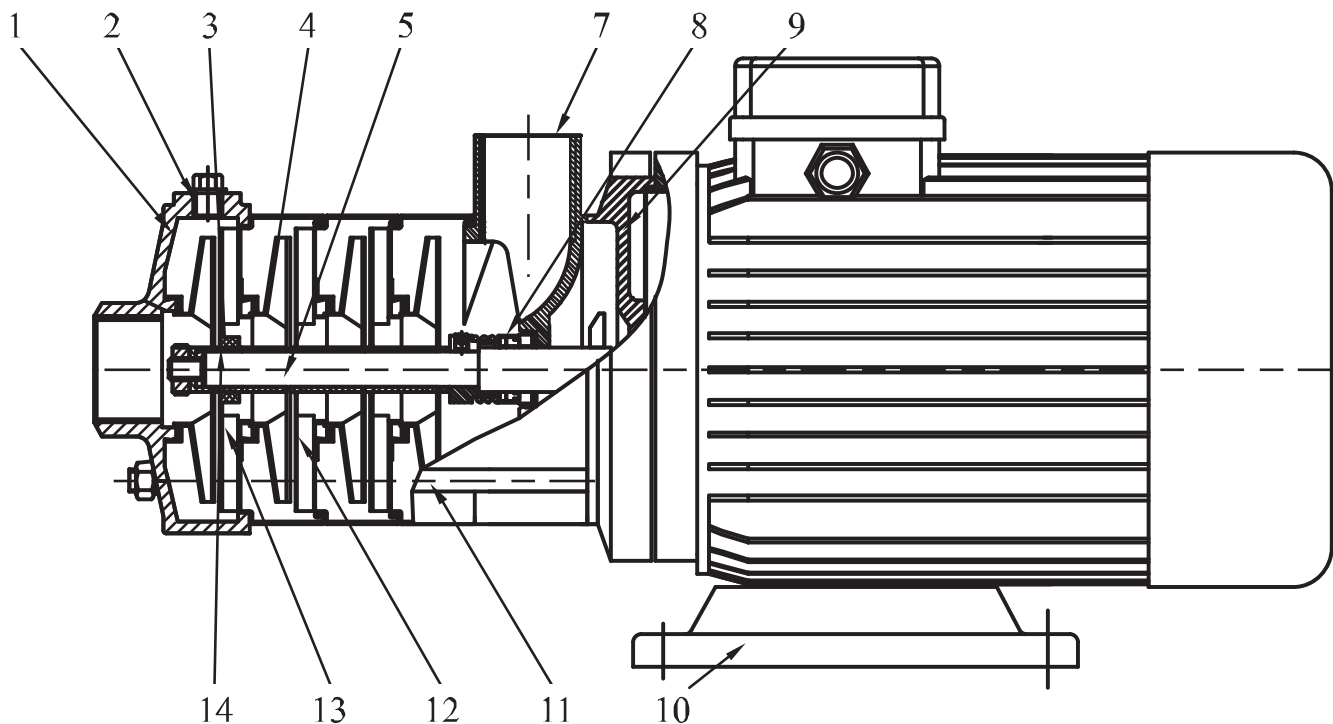


MAGGIO

SERIES DESCRIPTION: MAGGIO HM/HMI SERIES - HORIZONTAL MULTISTAGE PUMP

Selection Chart

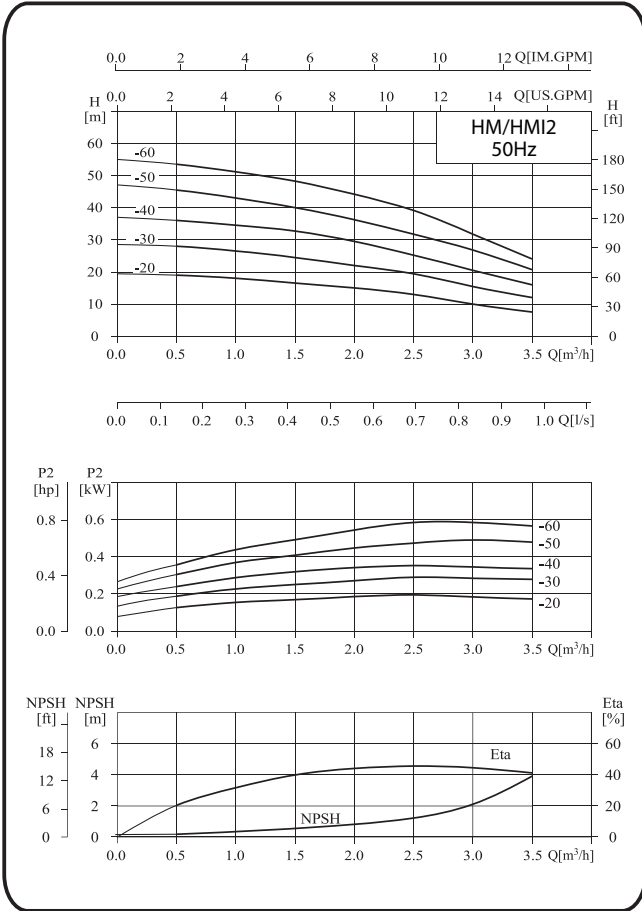


SERIES DESCRIPTION: MAGGIO HM/HMI SERIES - HORIZONTAL MULTISTAGE PUMP
General Arrangement Drawing


Part No	Part Name	Material
2	Vent	SS304
3	Bearing	Tungsten Carbide
4	Impeller	SS304
5	Shaft	SS304
6	Discharge Diffuser	SS304
8	Mechanical Seal	Graphite/SiC/Viton
9	Motor End Cover	Aluminum Alloy
10	Base Frame	Cast Iron
11	Pull-Rod	SS304
12	Diffuser	SS304
13	Support Diffuser	SS304
14	Sleeve	SS304
HM Series		
1	Suction Head	Cast Iron
7	Discharge Head	Cast Iron
HMI Series		
1	Suction Head	SS304
7	Discharge Head	SS304

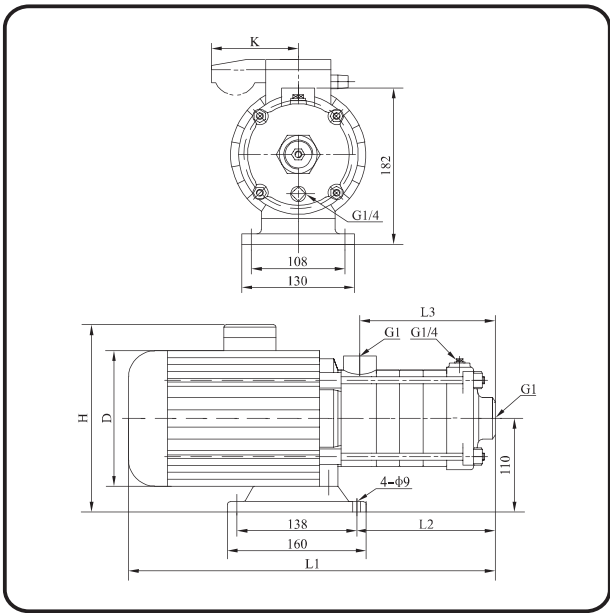
SERIES DESCRIPTION: MAGGIO HM/HMI SERIES - HORIZONTAL MULTISTAGE PUMP

Pump Performance and Dimensions



HM/HMI2

Dimensions



Size and weight

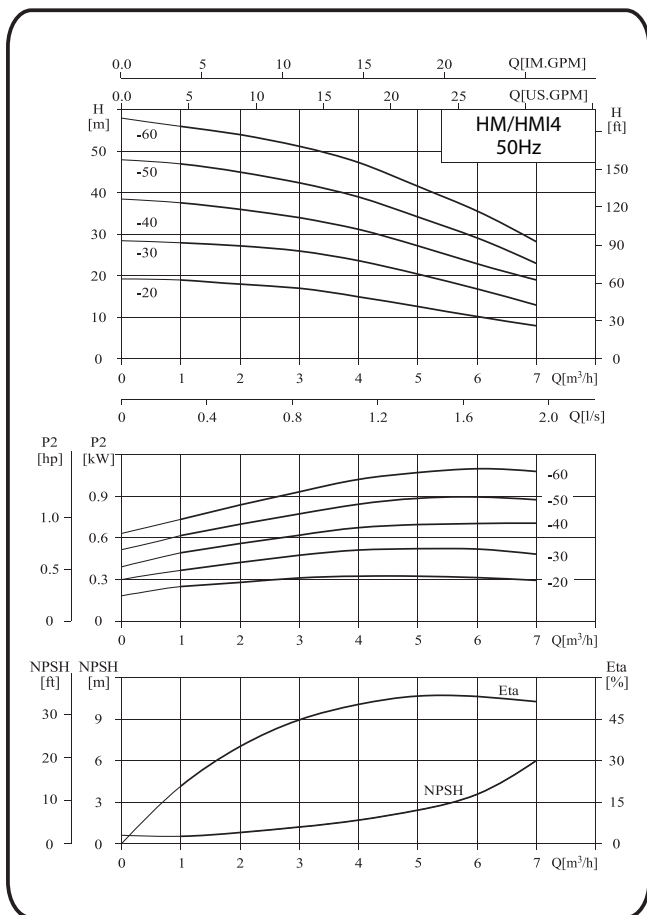
Model	Size(mm)						Weight (kg)
	L1	L2	L3	D	H	K	
HM (I) 2-20	305	87	84	145	215/230	/96	15
HM (I) 2-30	323	105	102	145	215/230	/96	15
HM (I) 2-40	341	123	120	145	215/230	/96	15
HM (I) 2-50	359	141	138	145	215/230	/96	15
HM (I) 2-60	422	159	156	170	225/245	/100	17

Performance table

Model	Driving motor		Q (m³/h)	H (m)						
	(kW)	(hp)		0.5	1	1.5	2	2.5	3	3.5
HM (I) 2-20	0.37	0.5	H (m)	19	18	16.5	15	13	10	7.5
HM (I) 2-30	0.55	0.75		28	26.5	24.5	22	19	15.5	12
HM (I) 2-40	0.55	0.75		36	34.5	33	29	25	20.5	16
HM (I) 2-50	0.55	0.75		45.5	43	40	36	31.5	26.5	20.5
HM (I) 2-60	0.75	1		53.5	51	48	44	39	32	24

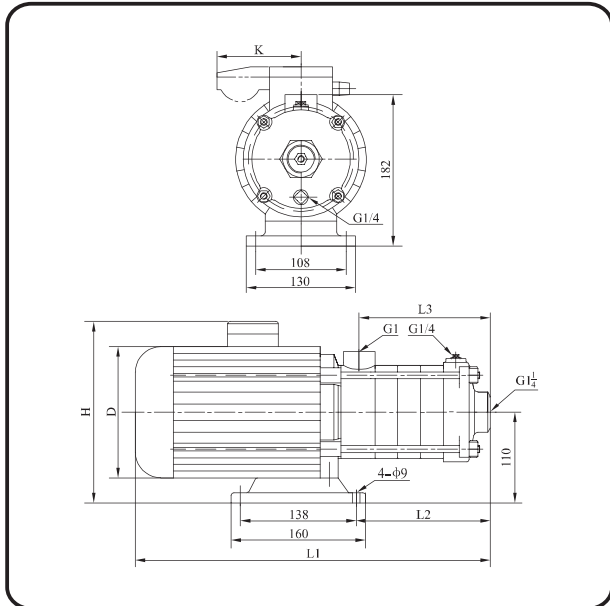
SERIES DESCRIPTION: MAGGIO HM/HMI SERIES - HORIZONTAL MULTISTAGE PUMP

Pump Performance and Dimensions



HM/HMI4

Dimensions



Size and weight

Model	Size(mm)						Weight (kg)
	L1	L2	L3	D	H	K	
HM (I) 4-20	329	105	102	145	215/230	/96	15
HM (I) 4-30	356	132	129	145	215/230	/96	15
HM (I) 4-40	416	162	156	170	225/245	/100	17
HM (I) 4-50	455	188	183	170	225/245	/100	17
HM (I) 4-60	482	213	210	170	225/245	/100	17

Performance table

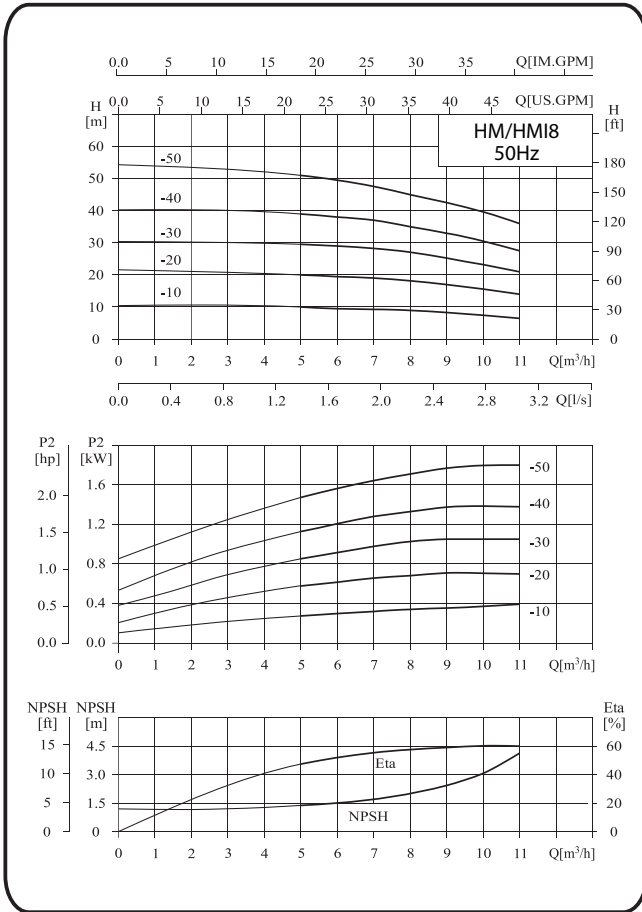
Model	Driving motor		Q (m ³ /h)	H (m)						
	(kW)	(hp)		1	2	3	4	5	6	7
HM (I) 4-20	0.55	0.75	H (m)	19	18	17	15	12.5	10	8
HM (I) 4-30	0.55	0.75		28	27	26	23.5	20.5	17	13
HM (I) 4-40	0.75	1		37.5	36	34	31	27	23	19
HM (I) 4-50	1.1	1.5		47	45	42.5	39	34	29	23
HM (I) 4-60	1.1	1.5		56	54	51	47	41.5	35.5	28



MAGGIO

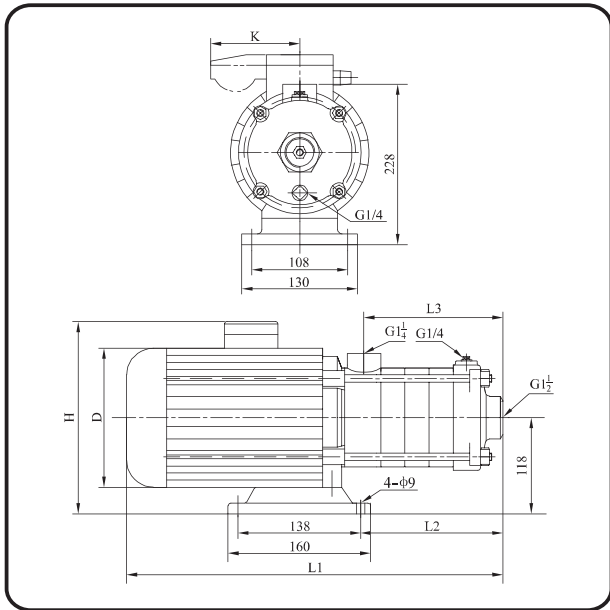
SERIES DESCRIPTION: MAGGIO HM/HMI SERIES - HORIZONTAL MULTISTAGE PUMP

Pump Performance and Dimensions



HM/HMI8

Dimensions



Size and weight

Model	Size(mm)						Weight (kg)
	L1	L2	L3	D	H	K	
HM (I) 8-10	395	126	108	170	230/265	/100	20
HM (I) 8-20	395	126	108	170	230/265	/100	20
HM (I) 8-30	425	156	138	170	230/265	/100	25
HM (I) 8-40	490	186	168	180	240/270	/100	28
HM (I) 8-50	520	216	198	180	240/270	/100	30

Performance table

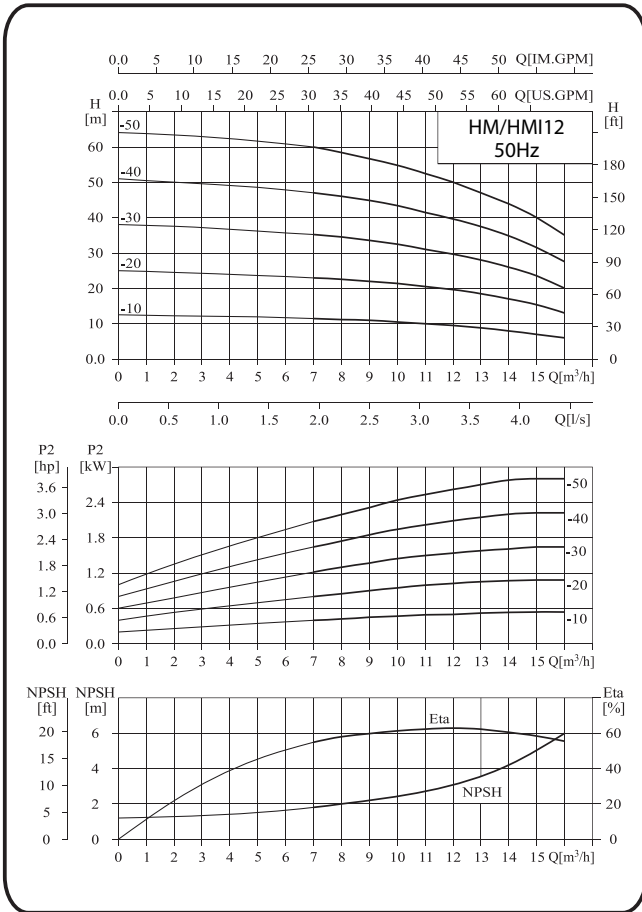
Model	Driving motor		Q (m³/h)	5	6	7	8	9	10	11
	(kW)	(hp)								
HM (I) 8-10	0.75	1	H (m)	10	9.5	9.3	9	8	7.5	7
HM (I) 8-20	0.75	1		20	19.5	19	18	17	15.5	14
HM (I) 8-30	1.1	1.5		29.5	29	28	27	25	23	21
HM (I) 8-40	1.5	2		39	38	37	35	33	30.5	27.5
HM (I) 8-50	2.2	3		51	49.5	47.5	45	42.5	39.5	36



MAGGIO

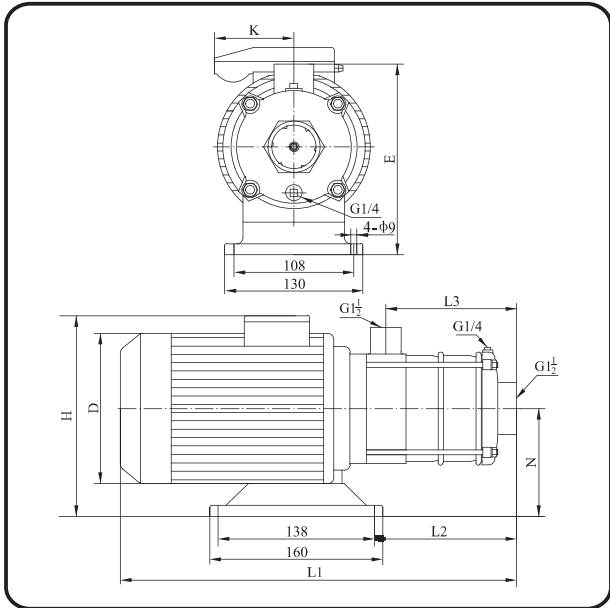
SERIES DESCRIPTION: MAGGIO HM/HMI SERIES - HORIZONTAL MULTISTAGE PUMP

Pump Performance and Dimensions



HM/HMI12

Dimensions

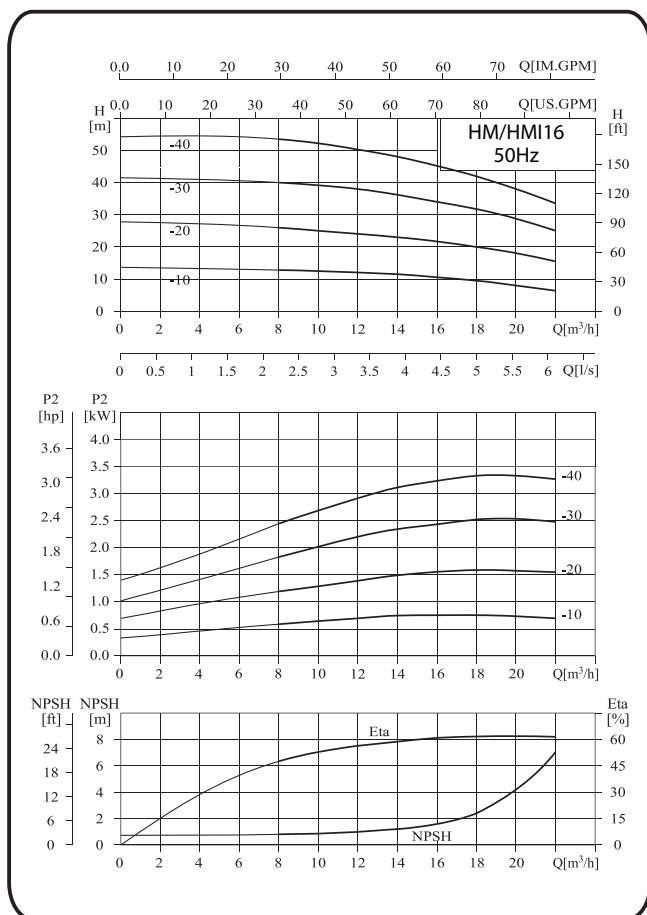


Size and weight

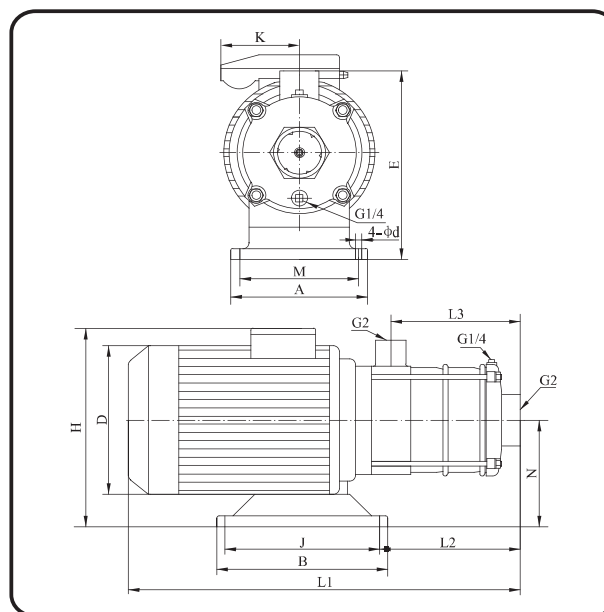
Model	Size(mm)								weight (kg)
	L1	L2	L3	H	D	E	N	K	
HM (I) 12-10	395	126	108	230/265	170	228	118	/100	20
HM (I) 12-20	395	126	108	230/265	170	228	118	/100	21
HM (I) 12-30	460	156	138	240/270	180	228	118	/100	25
HM (I) 12-40	490	186	168	240/270	180	228	118	/100	29
HM (I) 12-50	555	216	198	270/	195	240	126		34

Performance table

Model	Driving motor		Q (m³/h)	H (m)											
	(kW)	(hp)		7	8	9	10	11	12	13	14	15	16		
HM (I) 12-10	0.75	1	H (m)	11.5	11.2	11	10.5	10	9.5	9	8	7	6		
HM (I) 12-20	1.2	1.6		23	22.5	22	21.5	20.5	19.5	18.5	17	15.5	13		
HM (I) 12-30	1.8	2.4		35	34.5	33.5	32.5	31	29.5	28	26	23.5	20		
HM (I) 12-40	2.4	3.3		47	46	45	43.5	41.5	39.5	37.5	35	31.5	27.5		
HM (I) 12-50	3	4		60	58	56.5	55	52.5	50	47	44	40	35		

SERIES DESCRIPTION: MAGGIO HM/HMI SERIES - HORIZONTAL MULTISTAGE PUMP
Pump Performance and Dimensions


HM/HMI16

Dimensions

Size and weight

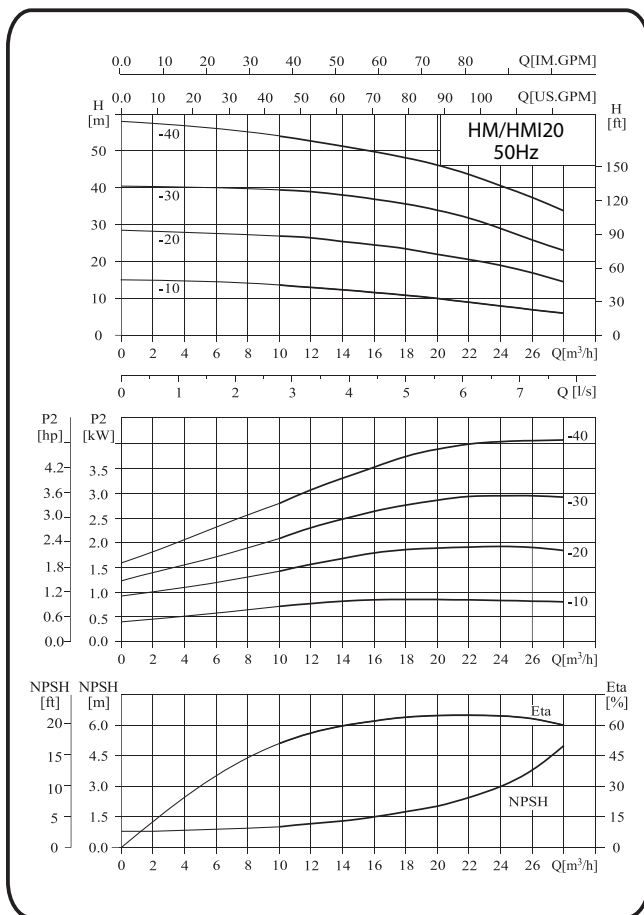
Model	Size(mm)													Weight (kg)
	L1	L2	L3	H	D	E	N	A	M	B	J	d	K	
HM (I) 16-10	423	151	126	230/265	170	227	117	130	108	160	138	9	/100	17.5
HM (I) 16-20	455	151	126	240/270	180	228	118	130	108	160	138	9	/100	27
HM (I) 16-30	561	196	171	270/	195	240	130	130	108	160	138	9		33
HM (I) 16-40	621	340	216	270/	220	230	120	230	190	170	140	12		41

Performance table

Model	Driving motor		Q (m ³ /h)	8	10	12	14	16	18	20	22
	(kW)	(hp)		H (m)							
HM (I) 16-10	1.1	1.5	H (m)	12.8	12.5	12	11.5	10.5	9.5	8	7
HM (I) 16-20	2.2	3		26	25	24	23	21.7	20	18	15.5
HM (I) 16-30	3	4		40	39	38	36	34	31.5	29	25
HM (I) 16-40	4	5.5		53.5	52	50	48	45	42	38	33.5

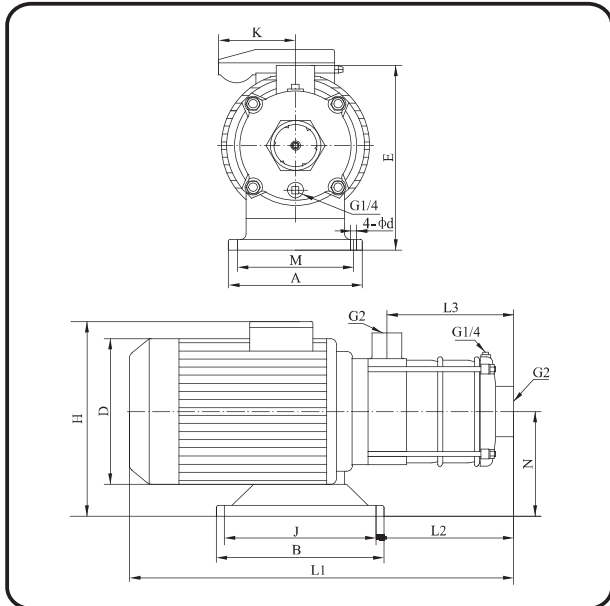
SERIES DESCRIPTION: MAGGIO HM/HMI SERIES - HORIZONTAL MULTISTAGE PUMP

Pump Performance and Dimensions



HM/HMI20

Dimensions



Size and weight

Model	Size(mm)													Weight (kg)
	L1	L2	L3	H	D	E	N	A	M	B	J	d	K	
HM (I) 20-10	423	151	126	230/265	170	227	117	130	108	160	138	9	/100	17.5
HM (I) 20-20	455	151	126	240/270	180	228	118	130	108	160	138	9	/100	27
HM (I) 20-30	576	294	171	270/	220	230	120	230	190	170	140	12		41
HM (I) 20-40	621	340	216	270/	220	230	120	230	190	170	140	12		44

Performance table

Model	Driving motor		Q (m ³ /h)	H (m)										
	(kW)	(hp)		10	12	14	16	18	20	22	24	26	28	
HM (I) 20-10	1.1	1.5	H (m)	13.5	13	12.5	12	11	10	9	8	7	6	
HM (I) 20-20	2.2	3		27	26.5	25.5	25	23.5	22	20.5	18.5	17	14.5	
HM (I) 20-30	4	5.5		39.5	39	38	37.5	35.5	34	31.5	29	26	23	
HM (I) 20-40	4.4	6		53	52	51	50	48.5	46.5	43	40	36	32.5	